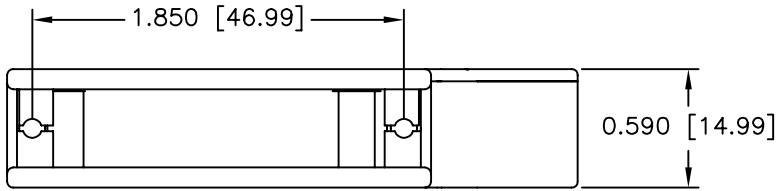
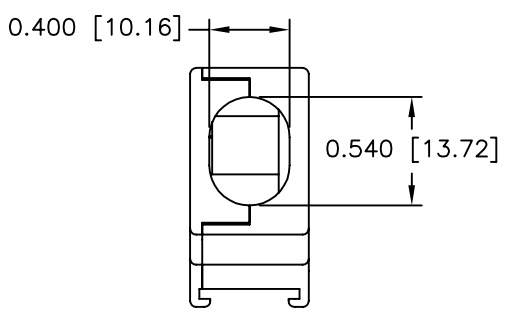
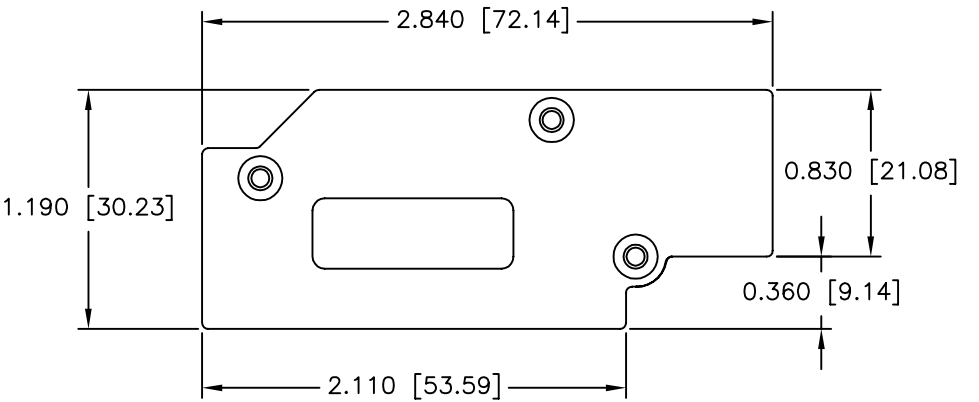
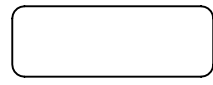


REVISIONS				
ZONE	REV	DESCRIPTION	DATE	APPROVED




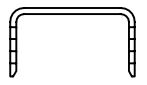
NO LOGO

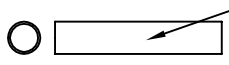


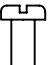
PART NUMBER INFORMATION


PART#	LOGO STYLE	SUPPLIED
NA30E950000	NO LOGO TOP COVER	BULK
NA30E950100	BOTTOM COVER	BULK
N30E950000	NO LOGO	PACKAGED

0.365 [9.27]
 #4-40 X 0.365" PHILLIPS HEAD MACHINE SCREW
 - LOW CARBON STEEL, ZINC PLATED
 QTY: 3 EACH

 STRAIN RELIEF CLIP - LOW CARBON STEEL
 - ZINC PLATE
 QTY: 1 EACH

 SLEEVE - COPPER ALLOY
 QTY: 1 EACH

 #4-40 X 1.370" SLOTTED CAPTIVE SCREW
 - LOW CARBON STEEL, NICKEL PLATED
 QTY: 1 EACH

 #4-40 X 1.080" SLOTTED CAPTIVE SCREW
 - LOW CARBON STEEL, NICKEL PLATED
 QTY: 1 EACH

CONNECTOR COVER:

- 1.MATERIAL: ZINC ALLOY
- 2.FINISH: NICKEL PLATING PER NTC SPECIFICATION N/T 000400
- 3.DIMENSIONS: INCHES [MM]
- 4.TOLERANCE: ±0.015 [0.381]

THIS IS A CONTROLLED DOCUMENT AND IS SUBJECT TO CHANGE. CONTACT NORTHERN TECHNOLOGIES ENGINEERING FOR THE LATEST REVISION.

UNLESS OTHERWISE SPECIFIED 1. ALL DIMENSIONS ARE IN INCHES (MM) 2. DIMENSIONS ARE TYPICAL		Northern Technologies <small>THIS DRAWING IS THE PROPERTY OF NORTHERN TECHNOLOGIES AND SHOULD NOT BE REPRODUCED WITHOUT NORTHERN TECHNOLOGIES' WRITTEN PERMISSION.</small>		
DRAWN JSD		24-JUL-06		PART NUMBER SEE PART NUMBER INFORMATION
CHECKED SCN		24-JUL-06		DESCRIPTION CMR 25 RIGHT ANGLE - LOW PROFILE COVER - TYPE 2
ISSUED	24-JUL-06	SIZE B	CODE 200_108	DWG NO. 0002-200-108
SCALE 1:1			SHEET 1 OF 1	